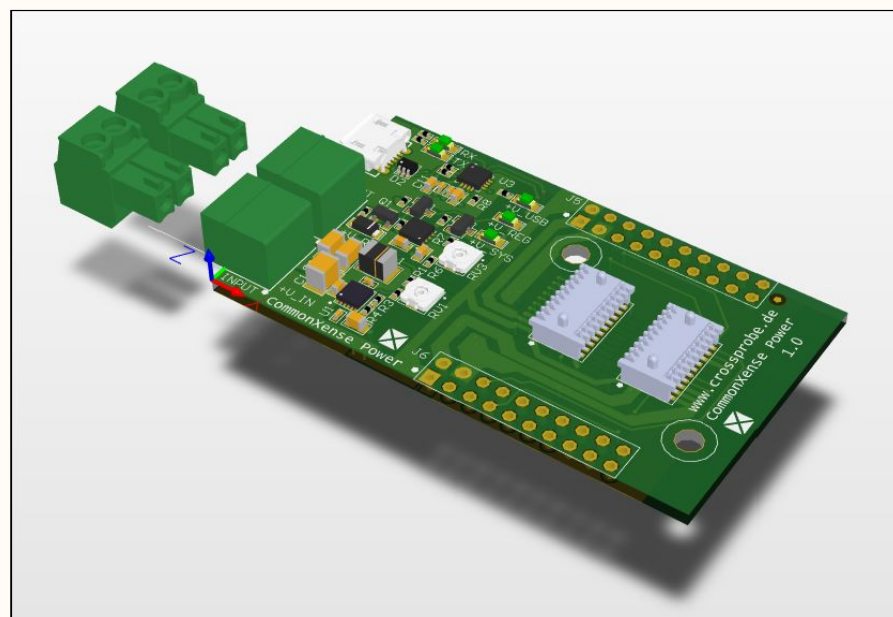


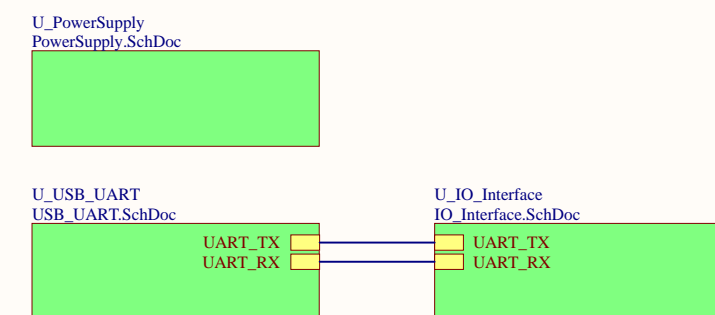
CommonXense Power Module

Date: 08-Nov-17

Vari ant: Producti on
Revi si on: 1.0

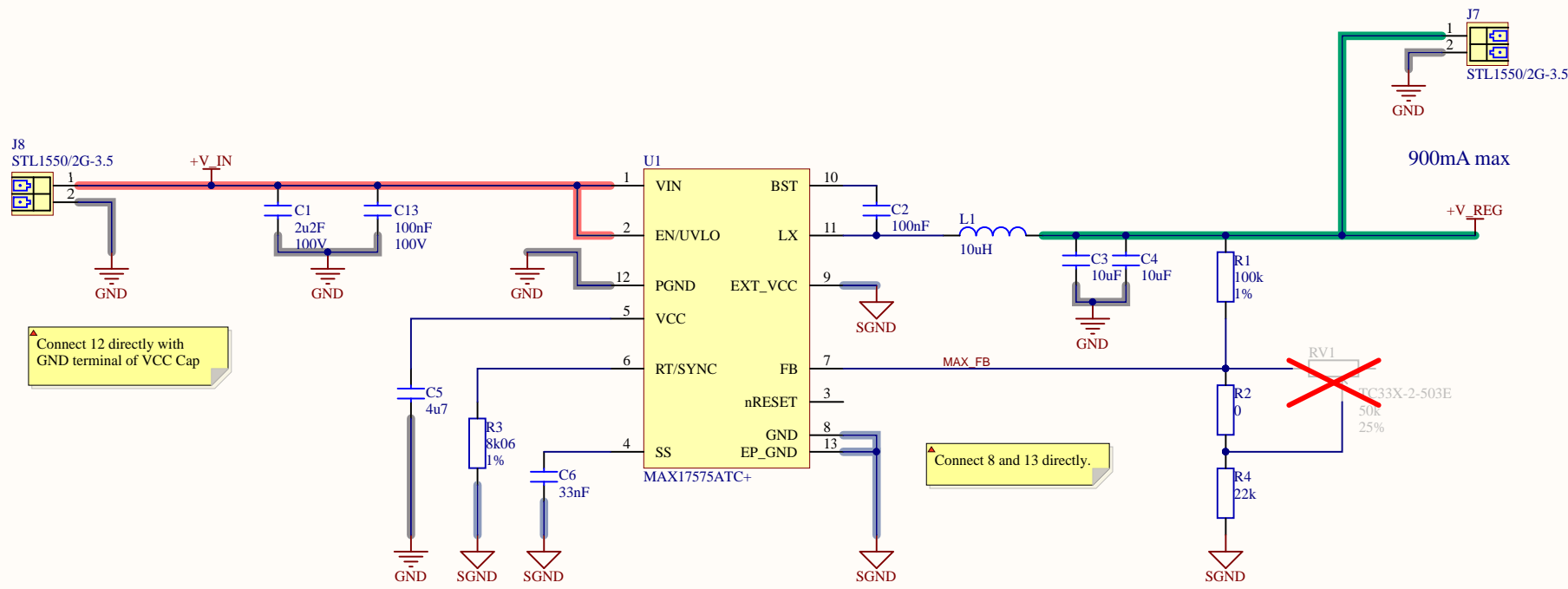


Schematic Overview:



External Input Voltage Regulator $V_{in} = +4V5 .. +60V0$

External Output



MAX17575 Output Configuration

$$V_{out} = 0.9 * R_{up} / R_{down} + 0.9$$

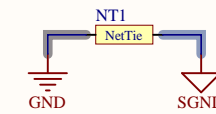
Default Configuration
Fixed $V_{out} = +5V0$

Adjustment Option
Variable $V_{out} = +2V5 .. +12V1$
(Usable range depends on V_{in})

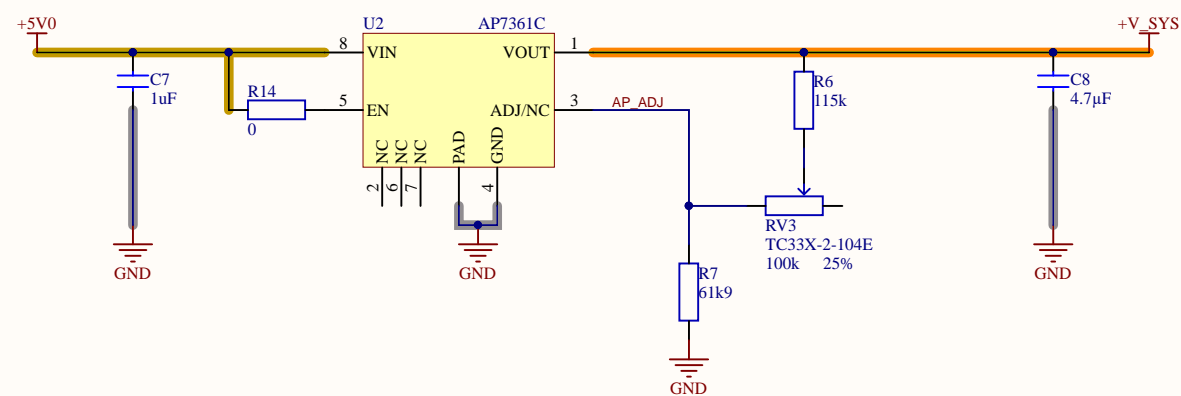


Common Ground Connection

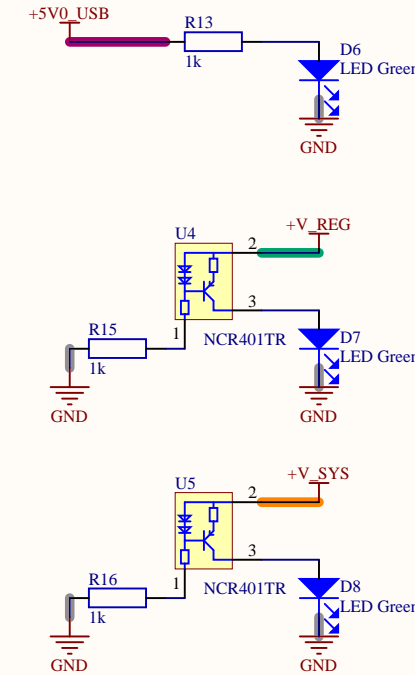
Connection at GND Terminal of C_VCC(5)



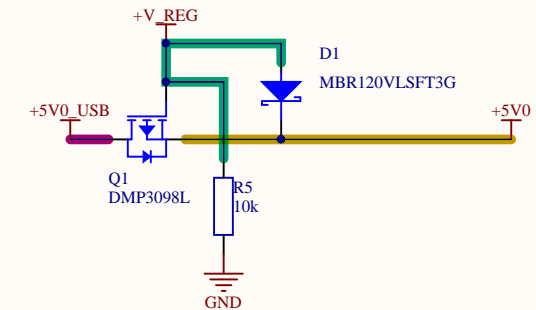
+3V3 Power Supply with Adjustment (+2V3 .. +3V3)



Power LEDs



Common +5V Connection



Miscellaneous

Screw Connector Plugs



Mounting Holes



USB to UART Bridge

