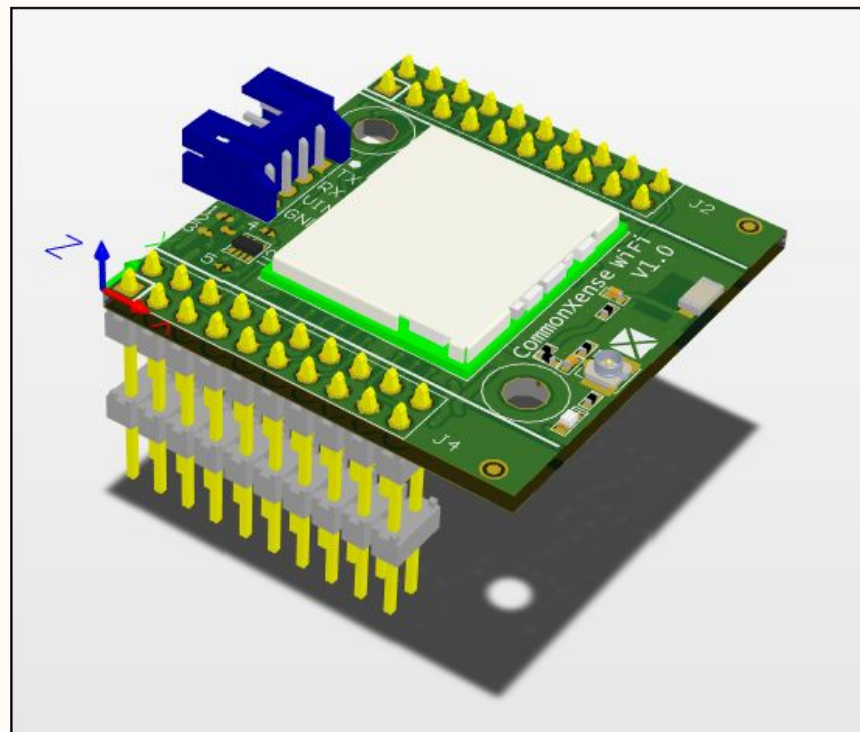


# CommonXense

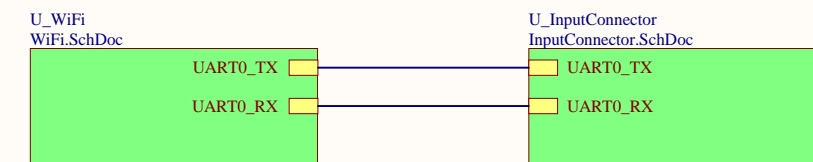
## WiFi Module

Date: 17-Nov-17

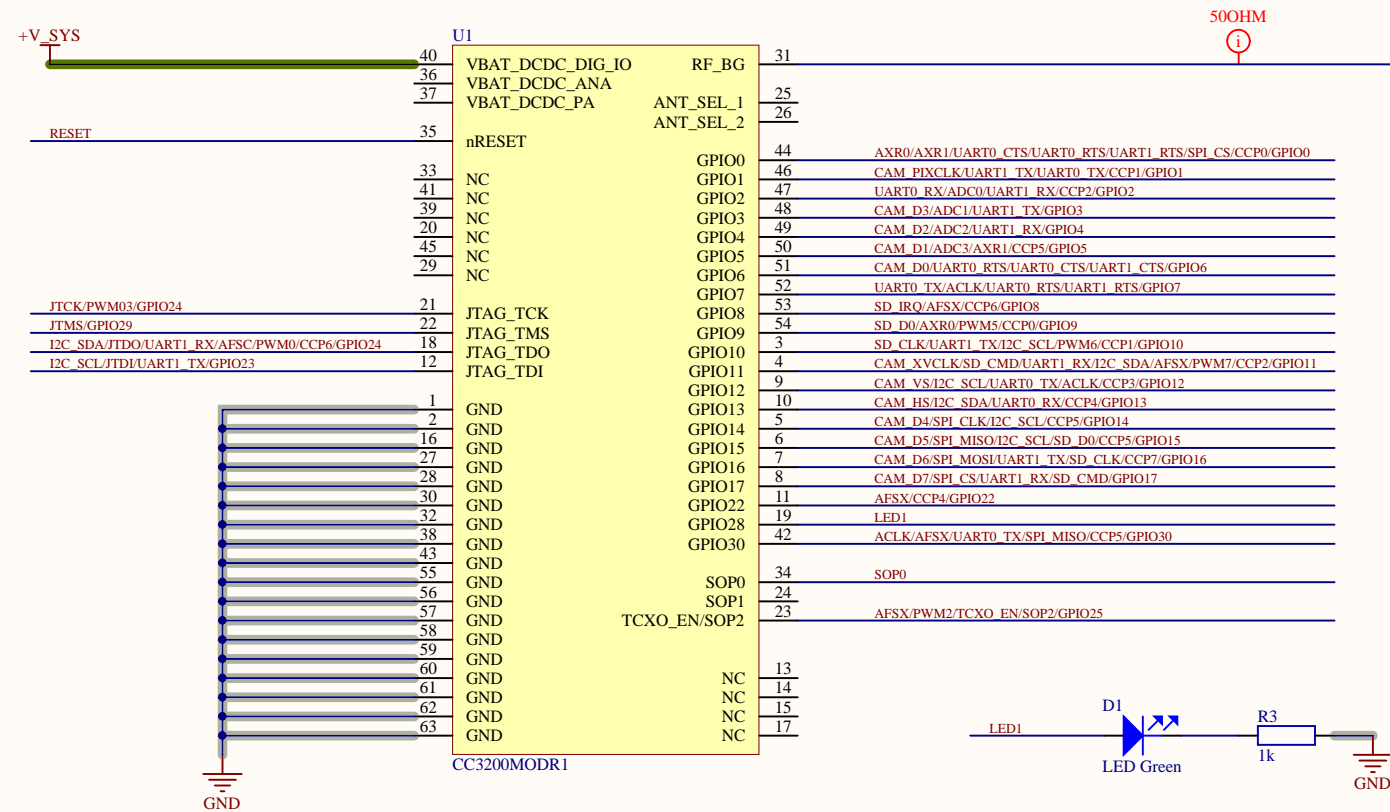
Vari ant: Producti on  
Revi si on: 1.0



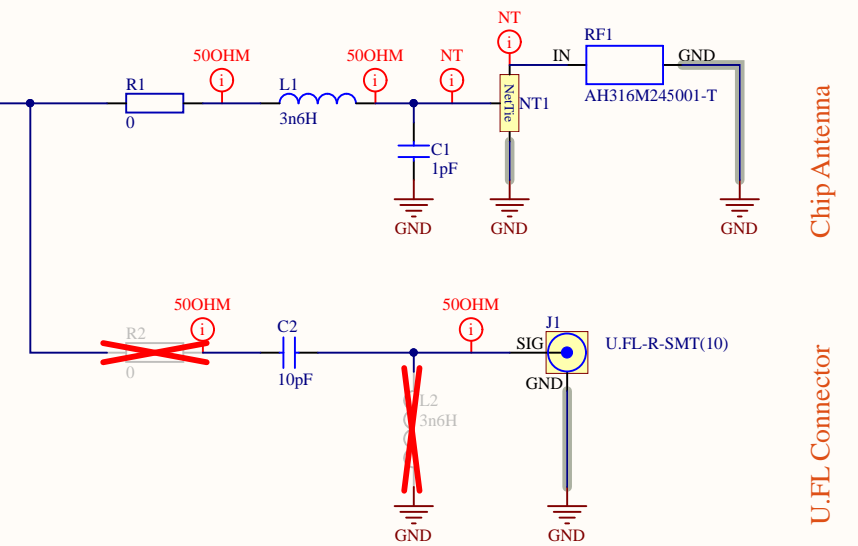
### Schematic Overview:



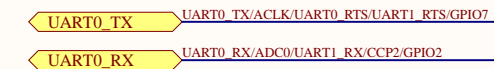
# CC3200 WiFi Module



# RF Circuit & Antenna

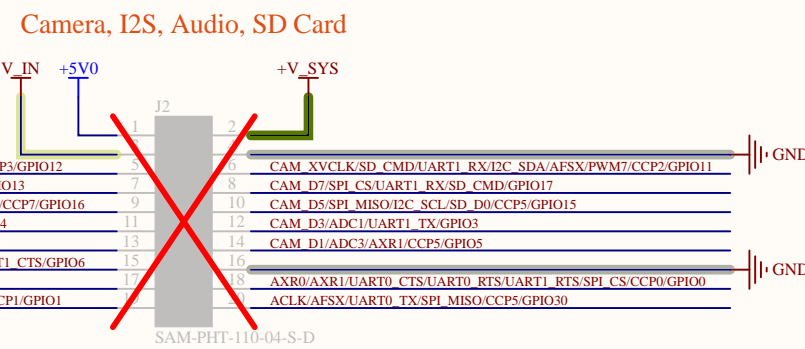


# Net Ports

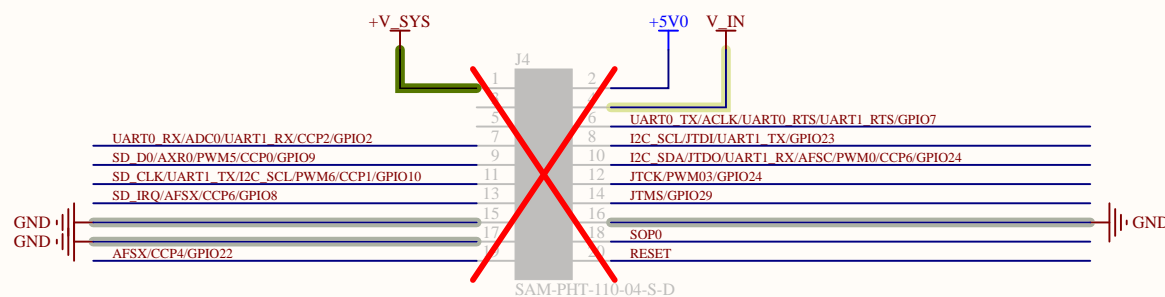


# 100mil Connectors

(+5V0 is not connected)

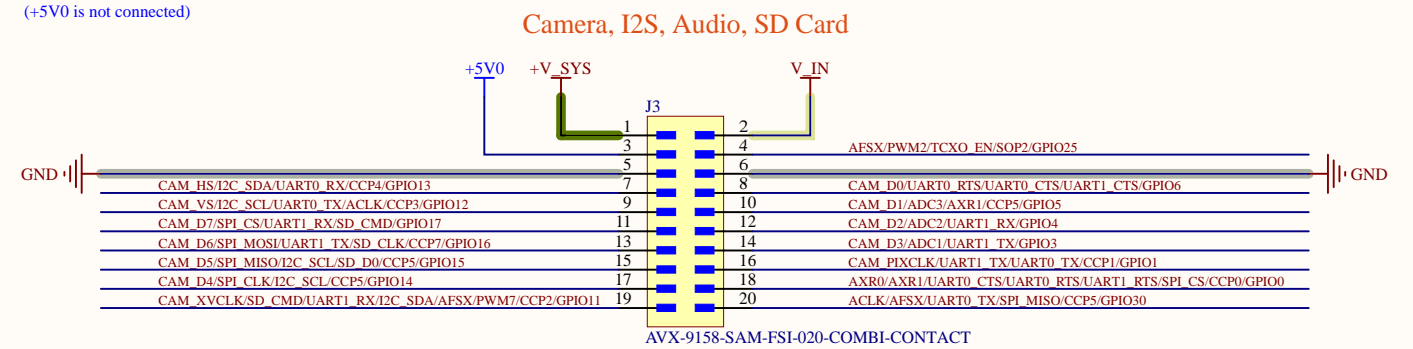


## JTAG, UART, I2C, PWM, CCP

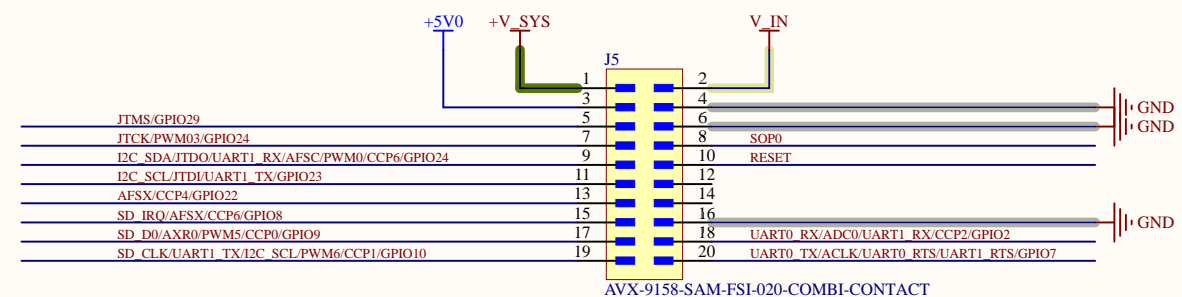


# Spring Contacts

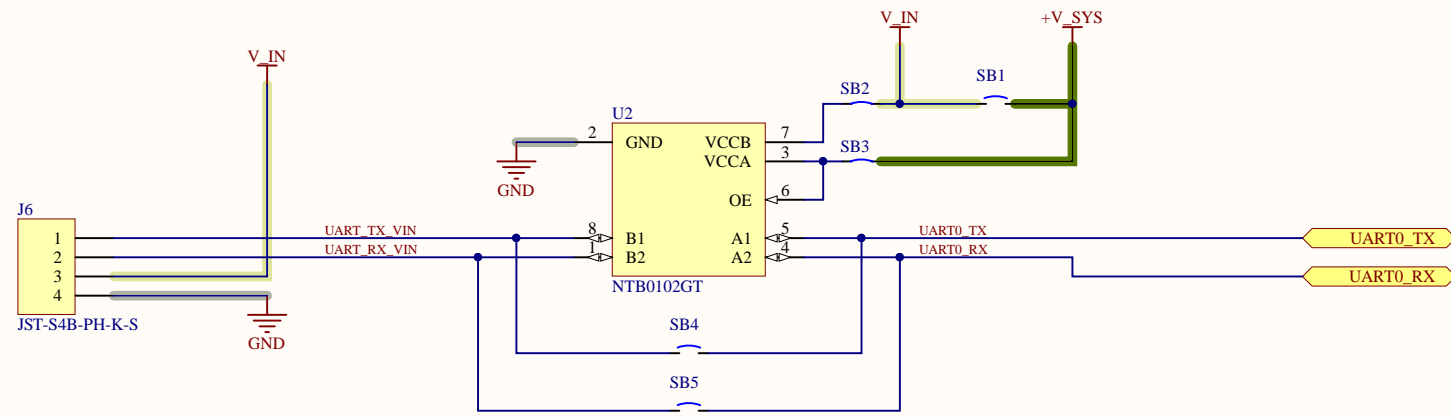
(+5V0 is not connected)



## JTAG, UART, I2C, PWM, CCP



## External UART & Level Shifter



## System Voltage Rating

NTB0102

VCCB (V\_IN) = 1.65 ... 5.5V

VCCA (VBAT) = 1.2 ... 3.6V

CC3200

VBAT = 2.3 ... 3.6V

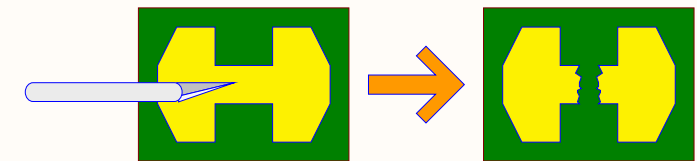
## Solder Bridges

SB1: close if CC3200 system power is V\_IN

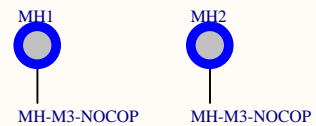
SB2, SB3: open if V\_IN exceeds 5.5V (no use of UART level translation)

SB4, SB5: close to bypass UART level translation

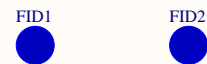
Scratch with scalpel to open SB2 and SB3:



## Mounting Holes



## Fiducials



Title **Input connector**

Size: A3

Number: 3

Revision: 1.0

Date: 17-Nov-17

Time: 19:23:07

Sheet 3 of 3

File: InputConnector.SchDoc

Crossprobe - Marten Ullrich

Tannenstr. 2  
01099 Dresden  
Germany

**CROSSPROBE**  
HARD- & SOFTWARE ENGINEERING